

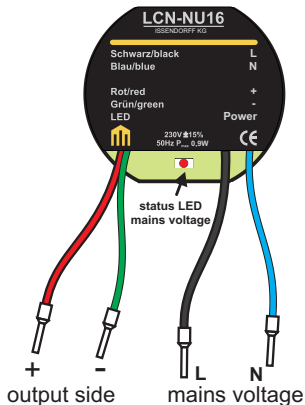
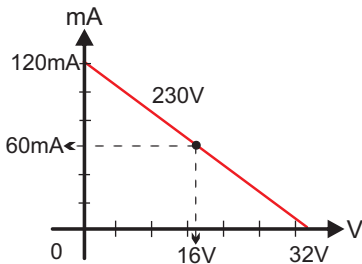
## DC voltage power supply 16V for LCN flush mounting

The LCN-NU16 is a DC voltage power supply for flush mounted boxes.

It is not stable: Without a load, the output voltage will increase up to approx. 32V, With a nominal load of 60mA, the output has an output voltage of 16V.

The LCN-NU16 is used for supplying the transponder reader LCN-UT (11/2007 or after) with power or feed supplying the key converters LCN-TEU, LCN-TE1 and LCN-TE2.

### Power supply characteristic



### Note:

LCN-NU16's after the revision number "C" (after November 2007) are all optimized for minimum loss. They are not compatible with older transponder readers LCN-UT's (before 11/2007).

#### Technical data:

##### connection:

power supply:	LCN-NU16	230V AC ±15%, 50/60Hz
	LCN-NU16/24	24V AC ±15%, 50/60Hz
output voltage:	16V to 32V DC	
power output:	max. 0,9W	
connection main supply:	2 fine wires with wire end-sleeves 0,75mm <sup>2</sup>	

##### installation:

operating temperature:	-10°C..+ 40°C
environmental conditions:	use as stationary installation according to VDE632, VDE637
protection art:	IP20
dimensions:	50mm ø x 22mm

Technical information and images are non binding. Changes are reserved.

Technical hotline: +49 5066 998844 or [www.LCN.de](http://www.LCN.de)